

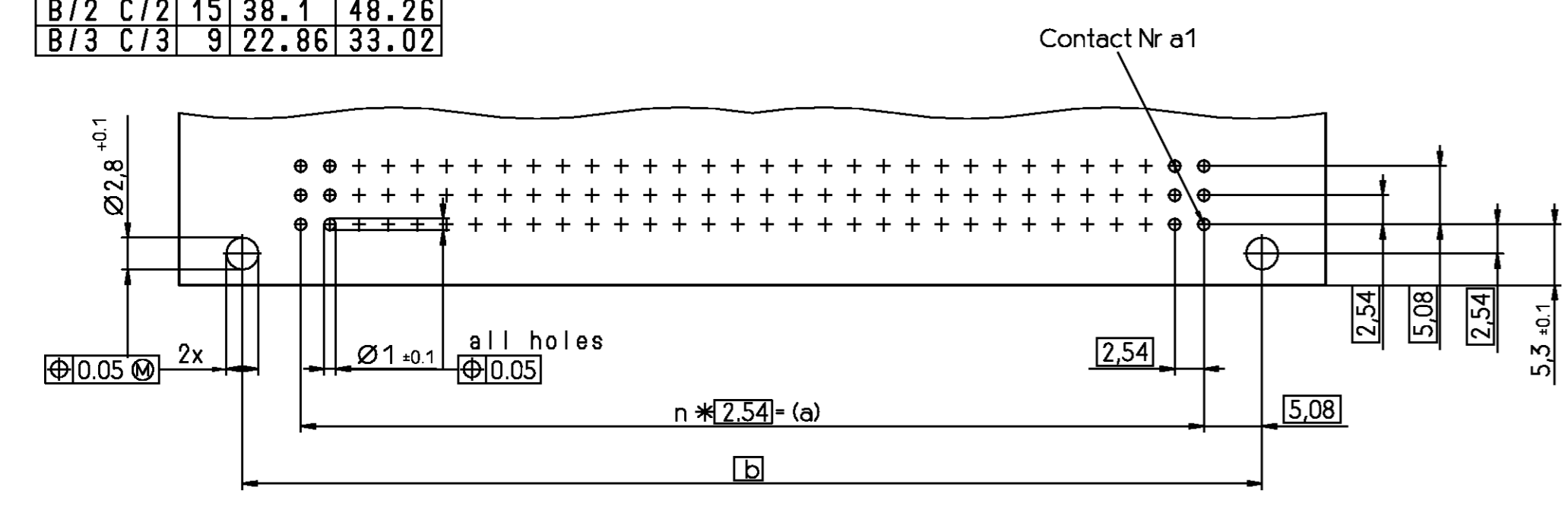
Housing material: PBTP 30% glassfilled (UL94V-0)
pebble grey (similar RAL 7032)

Housing material: PBTP 30% glassfilled (UL94V-0)
pebble grey (similar RAL 7032)

Housing material: PBTP 30% glassfilled (UL94V-0)
pebble grey (similar RAL 7032)

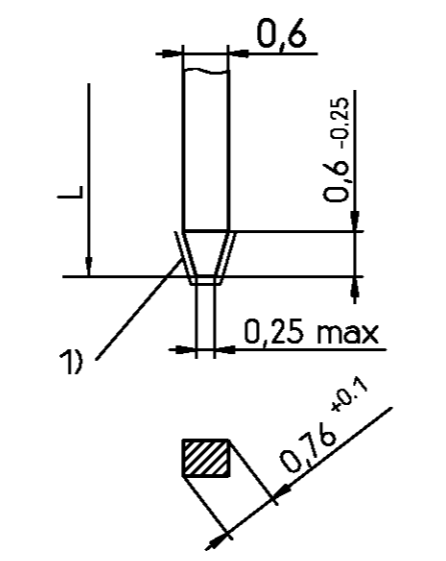
Bauform	n	a	b	
B	C	31	78.74	88.9
B/2	C/2	15	38.1	48.26
B/3	C/3	9	22.86	33.02

Mounting holes in PCB



Termination Style

Soldering/Wire-Wrap pins

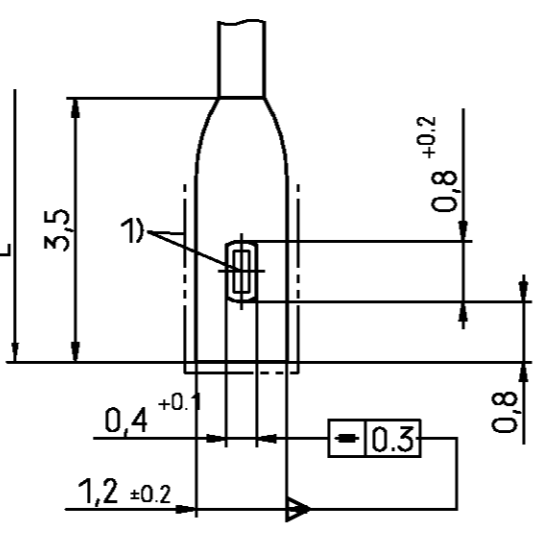


L	Code
3 -0.4	00
2.9±0.3	01
4.5±0.3	02
13 +0.5	40
11 +0.5	41
17 +0.5	42
5.5±0.3 10 -0.5	35

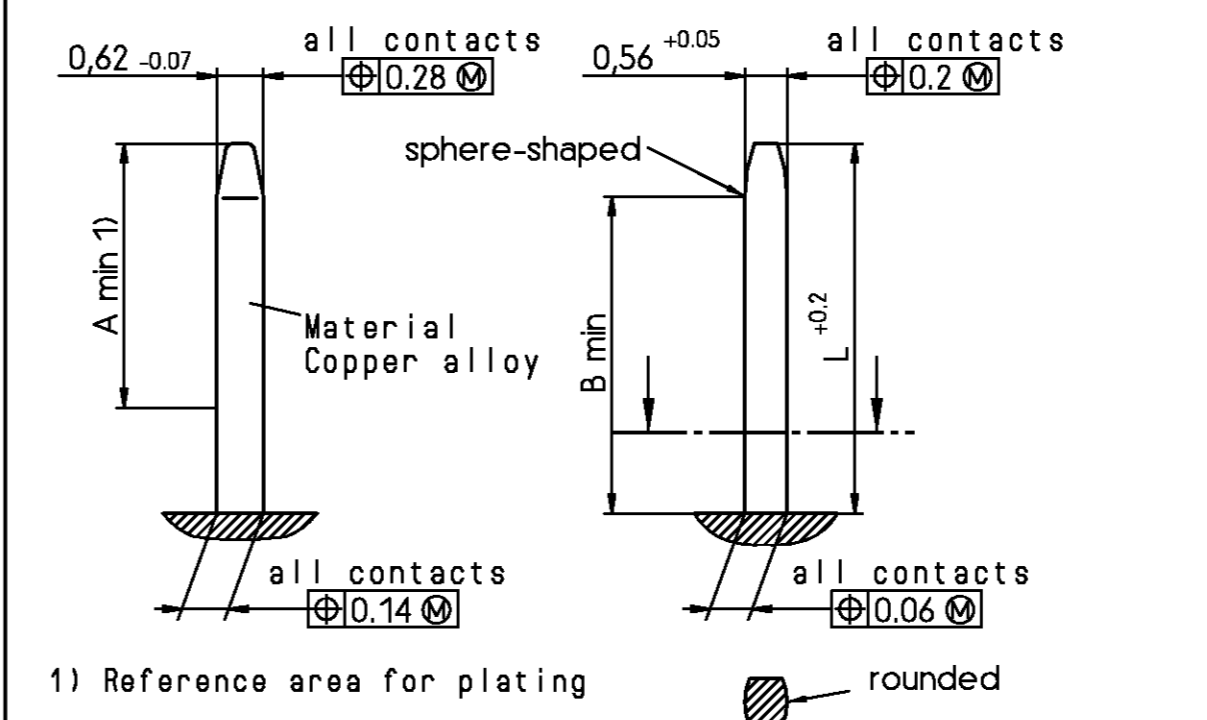
1) Cutting, edges not plated

Terminations with galvanic SnPb plating

Soldering lug



Contact: Dimensions, plating, material, pre-mating

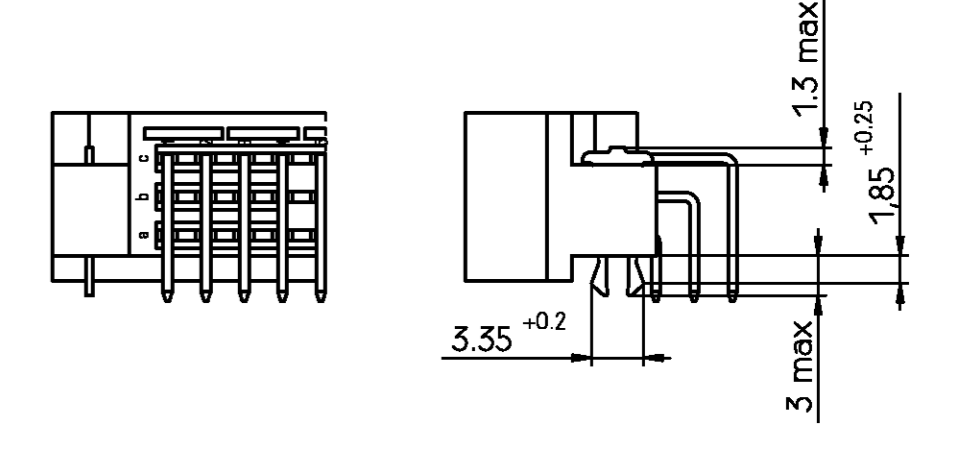


	L	A	B
normal contacts	4.8	3.5	4.2
pre-mating contacts	5.8	4.5	5.2

Performance level acc to DIN41612 and IEC603-2	Noble metals	Code
Class I	PdNi + Au or Au	1
	Au	4
Class II	PdNi + Au or Au	2
	Au	5
Class III	PdNi + Au or Au	3

Nickel underlayer
Protection film: HF-grease

Male connector with board locks



Mounted in PC-boards of 1.5 to 1.8 mm
Fm < 60 N
Fr >= 20 N
Fr >= 200 N, wenn soldered-in

Fm = Mounting force (for 1 connector = 2 Clips)
Fr = Retention force (for 1 connector = 2 Clips)

Mounted in PC-boards over 1.8 mm
Fm < 60 N
Fr >= 16 N

V 4 2 2 5 4 - * 1 * * * - + * * *

B : Standard version
F : Version with flux tight coating

code for performance level
code for termination style

Style, no of contacts and contact assignment see page 2

THIS INFORMATION IS CONFIDENTIAL AND PROPRIETARY TO TYCO ELECTRONICS CORPORATION AND ITS WORLDWIDE SUBSIDIARIES AND AFFILIATES. IT MAY NOT BE DISCLOSED TO ANYONE, OTHER THAN TYCO ELECTRONICS CORPORATION, WITHOUT WRITTEN AUTHORIZATION FROM TYCO ELECTRONICS CORPORATION, HARRISBURG, PENNSYLVANIA USA.

tyco TYCO ELECTRONICS CORPORATION		SCALE		WEIGHT	
COOSTKAMP - BELGIUM		MATERIAL			
Electronics		DIMENSIONS IN MM		PART NAME	
B3	SR10-0413-02	16 Sep 02	BC	DATE 10.02.89	
B2	SR10-0157-02	13 Mar 02	BC	NAME Cavelier	
B1	SR10-0130-02	28 Feb 02	BC	DEP. PD.COM	
B	SR10-0198-01	21.05.01	BC		
A	WVO 007012	20.07.00	VVS	TOLERANCE UNLESS SPECIFIED OTHERWISE	
06	WVO 997035	27.09.99	CUV	PART NO. V42254-B1***-C***-7626	
05	WVO 997032	07.09.99	CUV	SH. 1+	
REV.	CHANGE ORDER	DATE	APP.	Customer Drawing Nr. C 1392009-8	
				CF 2	

Product description code	Part Number	Style & Number of Positions	Termination Posts	Loaded Rows	Standard Pre-Mating (mm J)	Performance Level	Board Locks
V42254-B1100-B200	1393644-1	B20	right-angle solder leads	every row , every pitch	No	1	No
V42254-B1100-B230	1393644-2	B20	right-angle solder leads	every row , every pitch	Yes	1	No
V42254-B1100-B320	1393644-3	B32	right-angle solder leads	every row , every pitch	No	1	No
V42254-B1100-B640	1393644-4	B64	right-angle solder leads	every row , every pitch	No	1	No
V42254-B1100-B641	1393644-5	B64	right-angle solder leads	row a , every pitch	No	1	No
V42254-B1100-B645	1393644-6	B64	right-angle solder leads	every row , every even pitch	No	1	No
V42254-B1100-C480	1393644-7	C48	right-angle solder leads	every row , every pitch	No	1	No
V42254-B1100-C483	1393644-8	C48	right-angle solder leads	row atc , every pitch	No	1	No
V42254-B1100-C910	1393644-9	C96	right-angle solder leads	every row , every pitch	No	1	Yes
V42254-B1100-C960	1393644-6	C96	right-angle solder leads	every row , every pitch	No	1	No
V42254-B1100-C963	1393644-7	C96	right-angle solder leads	row atc , every pitch	No	1	No
V42254-B1100-C965	1393644-8	C96	right-angle solder leads	every row , every even pitch	No	1	No
V42254-B1100-C968	1393644-9	C96	right-angle solder leads	row atc , every even pitch	No	1	No
V42254-B1100-C968H	1393644-0	C96	right-angle solder leads	row atc , every even pitch	No	1	No
V42254-B1101-B230	1393644-2	B20	2,9mm straight solder leads	every row , every pitch	Yes	1	No
V42254-B1102-B320	1393644-3	B32	4,5mm straight solder leads	every row , every pitch	No	1	No
V42254-B1102-B640	1393644-4	B64	4,5mm straight solder leads	every row , every pitch	No	1	No
V42254-B1102-C960	1393644-5	C96	4,5mm straight solder leads	every row , every pitch	No	1	No
V42254-B1102-C963	1393644-6	C96	4,5mm straight solder leads	row atc , every pitch	No	1	No
V42254-B1135-B640	1393644-0	B64	solder lugs	every row , every pitch	No	1	No
V42254-B1200-B200	1393644-6	B20	right-angle solder leads	every row , every pitch	No	2	No
V42254-B1200-B310	1393644-8	B32	right-angle solder leads	every row , every pitch	No	2	Yes
V42254-B1200-B320	1393644-9	B32	right-angle solder leads	every row , every pitch	No	2	No
V42254-B1200-B321	1393644-0	B32	right-angle solder leads	row a , every pitch	No	2	No
V42254-B1200-B610	1393644-3	B64	right-angle solder leads	every row , every pitch	No	2	Yes
V42254-B1200-B611	1393644-4	B64	right-angle solder leads	row a , every pitch	No	2	Yes
V42254-B1200-B630	1393644-5	B64	right-angle solder leads	every row , every pitch	Yes	2	No
V42254-B1200-B640	1393644-6	B64	right-angle solder leads	every row , every pitch	No	2	No
V42254-B1200-B641	1393644-7	B64	right-angle solder leads	row a , every pitch	No	2	No
V42254-B1200-B645	1393644-8	B64	right-angle solder leads	every row , every even pitch	No	2	No
V42254-B1200-C300	1393644-9	C30	right-angle solder leads	every row , every pitch	No	2	No
V42254-B1200-C303	1393644-0	C30	right-angle solder leads	row atc , every pitch	No	2	No
V42254-B1200-C310	1393644-1	C30	right-angle solder leads	every row , every pitch	No	2	Yes
V42254-B1200-C313	1393644-2	C30	right-angle solder leads	row atc , every pitch	No	2	Yes
V42254-B1200-C410	1393644-4	C48	right-angle solder leads	every row , every pitch	No	2	Yes
V42254-B1200-C413	1393644-5	C48	right-angle solder leads	row atc , every pitch	No	2	Yes
V42254-B1200-C430	1393644-6	C48	right-angle solder leads	every row , every pitch	Yes	2	No
V42254-B1200-C433	1393644-7	C48	right-angle solder leads	row atc , every pitch	No	2	No
V42254-B1200-C453	1393644-9	C48	right-angle solder leads	row atc , every pitch	Yes	2	Yes
V42254-B1200-C480	1393644-0	C48	right-angle solder leads	every row , every pitch	No	2	No
V42254-B1200-C483	1393644-1	C48	right-angle solder leads	row atc , every pitch	No	2	No
V42254-B1200-C485	1393644-2	C48	right-angle solder leads	every row , every even pitch	No	2	No
V42254-B1200-C910	1393644-3	C96	right-angle solder leads	every row , every pitch	No	2	Yes
V42254-B1200-C912	1393644-4	C96	right-angle solder leads	row atb , every pitch	No	2	Yes
V42254-B1200-C913	1393644-5	C96	right-angle solder leads	row atc , every pitch	No	2	Yes
V42254-B1200-C918	1393644-6	C96	right-angle solder leads	row atc , every even pitch	No	2	Yes
V42254-B1200-C930	1393644-7	C96	right-angle solder leads	every row , every pitch	Yes	2	No
V42254-B1200-C933	1393644-8	C96	right-angle solder leads	row atc , every pitch	Yes	2	No
V42254-B1200-C938	1393644-9	C96	right-angle solder leads	row atc , every even pitch	Yes	2	No
V42254-B1200-C953	1393644-0	C96	right-angle solder leads	row atc , every pitch	Yes	2	Yes
V42254-B1200-C960	1393644-1	C96	right-angle solder leads	every row , every pitch	No	2	No
V42254-B1200-C960B	1393644-2	C96	right-angle solder leads	every row , every pitch	No	2	No
V42254-B1200-C961	1393644-3	C96	right-angle solder leads	row a , every pitch	No	2	No
V42254-B1200-C963	1393644-4	C96	right-angle solder leads	row atc , every pitch	No	2	No
V42254-B1200-C963B	1393644-5	C96	right-angle solder leads	row atc , every pitch	No	2	No
V42254-B1200-C965	1393644-6	C96	right-angle solder leads	every row , every even pitch	No	2	No
V42254-B1200-C968	1393644-7	C96	right-angle solder leads	row atc , every even pitch	No	2	No
V42254-B1201-B320	1393645-5	B32	2,9mm straight solder leads	every row , every pitch	No	2	No
V42254-B1201-B640	1392009-8	B64	2,9mm straight solder leads	every row , every pitch	No	2	No
V42254-B1201-C300	1393645-6	C30	2,9mm straight solder leads	every row , every pitch	No	2	No
V42254-B1201-C480	1393645-7	C48	2,9mm straight solder leads	every row , every pitch	No	2	No
V42254-B1201-C960	1393502-6	C96	2,9mm straight solder leads	every row , every pitch	No	2	No
V42254-B1201-C963	1393502-7	C96	2,9mm straight solder leads	row atc , every pitch	No	2	No
V42254-B1202-B200	1393645-9	B20	4,5mm straight solder leads	every row , every pitch	No	2	No
V42254-B1202-B320	1393645-0	B32	4,5mm straight solder leads	every row , every pitch	No	2	No
V42254-B1202-B640	1393645-1	B64	4,5mm straight solder leads	every row , every pitch	No	2	No
V42254-B1202-C300	1392009-9	C30	4,5mm straight solder leads	every row , every pitch	No	2	No
V42254-B1202-C480	1393645-4	C48	4,5mm straight solder leads	every row , every pitch	No	2	No
V42254-B1202-C483	1393645-5	C48	4,5mm straight solder leads	row atc , every pitch	No	2	No
V42254-B1202-C960	1393645-6	C96	4,5mm straight solder leads	every row , every pitch	No	2	No
V42254-B1202-C963	1393645-7	C96	4,5mm straight solder leads	row atc , every pitch	No	2	No
V42254-B1202-C968	1393645-8	C96	4,5mm straight solder leads	row atc , every even pitch	No	2	No
V42254-B1235-C480	1393645-5	C48	solder lugs	every row , every pitch	No	2	No
V42254-B1235-C960	1393645-7	C96	solder lugs	every row , every pitch	No	2	No
V42254-B1235-C963	1393645-8	C96	solder lugs	row atc , every pitch	No	2	No
V42254-B1240-B320	1393645-1	B32	13mm straight wire-wrap pins	every row , every pitch	No	2	No
V42254-B1240-B640	1393645-2	B64	13mm straight wire-wrap pins	every row , every pitch	No	2	No
V42254-B1240-C300	1393645-3	C30	13mm straight wire-wrap pins	every row , every pitch	No	2	No
V42254-B1240-C480	1393645-4	C48	13mm straight wire-wrap pins	every row , every pitch	No	2	No
V42254-B1240-C960	1393645-5	C96	13mm straight wire-wrap pins	every row , every pitch	No	2	No
V42254-B1240-C963	1393645-7	C96	13mm straight wire-wrap pins	row atc , every pitch	No	2	No
V42254-B1240-C963B	1393645-8	C96	13mm straight wire-wrap pins	row atc , every pitch	No	2	No
V42254-B1300-B640	1393646-5	B64	right-angle solder leads	every row , every pitch	No	3	No
V42254-B1300-C960	1393646-6	C96	right-angle solder leads	every row , every pitch	No	3	No
V42254-B1300-C963	1393646-7	C96	right-angle solder leads	row atc , every pitch	No	3	No
V42254-F1200-C480	1393647-2	C48	right-angle solder leads	every row , every pitch	No	2	No
V42254-F1200-C960	1393647-3	C96	right-angle solder leads	every row , every pitch	No	2	No
V42254-F1200-C963	1393647-4	C96	right-angle solder leads	row atc , every pitch	No	2	No

- 4) According BT 236 level 2.
3) According BT 222 level 1.
2) Connectors have a flux-tight coating.
1) First and last contact of each loaded row is a pre-mating (make first / break last) contact.

Active part numbers.
Contact Tyco Electronics for other configuration availability

THIS INFORMATION IS CONFIDENTIAL AND PROPRIETARY TO TYCO ELECTRONICS CORPORATION AND ITS WORLDWIDE SUBSIDIARIES AND AFFILIATES. IT MAY NOT BE DISCLOSED TO ANYONE, OTHER THAN TYCO ELECTRONICS CORPORATION, WITHOUT WRITTEN AUTHORIZATION FROM TYCO ELECTRONICS CORPORATION, HARRISBURG, PENNSYLVANIA USA.

tyco TYCO ELECTRONICS CORPORATION		SCALE		WEIGHT	
ELECTRONICS		MATERIAL		DIMENSIONS IN MM	
OOSTKAMP - BELGIUM		PART NAME		Pin Assembly Eurocard	
DATE 10.02.89		NAME Cavelier		Types B, C and short versions	
DEP. PE Com		PART NO.		V42254-B1***-C***-7626	
REV. CHANGE ORDER		DATE		APP. Customer Drawing Nr. C 1392009-8	

- [Home](#)
- [Part Number Search](#)
- [Text Search](#)
- [Alternate Part Search](#)
- [Multiple Part Comparison](#)
- [Alphabetical Search](#)
- [Brand Search](#)
- [Industry Product Search](#)
- [Product Type Search](#)
- [Product Family Search](#)
- [Competitor Cross Reference](#)
- [Document Search](#)
- [Lead Free Solutions](#)
- [Help/Glossary](#)

Current Brand View	View All Tyco Electronics Brands Click to activate links to all other products
AMP	

.100 & .200 Centerline DIN 41612 Connectors (Eurocard)

Eurocard Type B Connectors .100 Centerline - 2 Row

AMP 1392009-8 -- 1 of 1 products **Active** [Active](#)

(Tyco Electronics P/N: 1392009-8)

	Sales Information	AMP ACES	Step Search Screen
		Related Documents	General Information
		Pricing	Product Availability

Please use the customer drawing for all design activity.

[Click here to view the Customer Drawing\(s\) for this part.](#)

Searchable Features:	
Brand:	AMP
Mating Type:	Plug
No. of Positions:	64
PCB Mount Angle:	Vertical
Post Type:	Solder Post
Make First / Break Last:	No
Termination Post Length (mm [in]):	2.90 [0.114]
Contact Cross Section (mm [in]):	0.60 [.024] Sq.
DIN Level:	II
Size:	Standard
Special PCB Retention:	No
Flux-Tight Coating:	Without

Other Properties:	
Rows Loaded:	A, B
Terminate To:	Printed Circuit Board
Contact Material:	Copper Alloy
Housing Material:	30% Glass-Filled Polyester
Color:	Gray
Housing Flammability Rating:	UL 94V-0